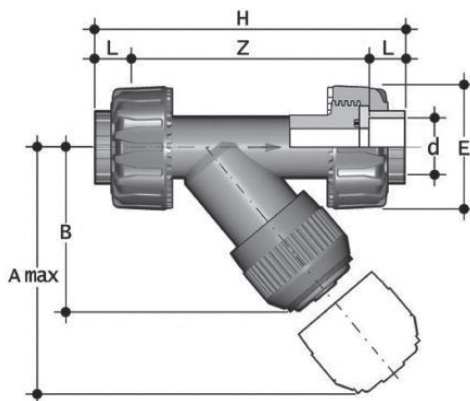


Screwed Y Strainers

DATA SHEET RVULT



PVC-U Clear Y Strainer

Size	DN	A (Max)	B	E	L	Z	H	Kg
3/8"/16mm	10	125	72	55	14	107	135	0.85
1/2"/20mm	15	125	72	55	16	103	135	0.78
3/4"/25mm	20	145	84	66	19	120	158	0.73
1"/32mm	25	165	95	75	22	132	176	1.22
1.1/4"/40mm	32	190	111	87	26	155	207	1.88
1.1/2"/50mm	40	210	120	100	31	181	243	4.75
2"/63mm	50	240	139	120	38	222	298	4.75